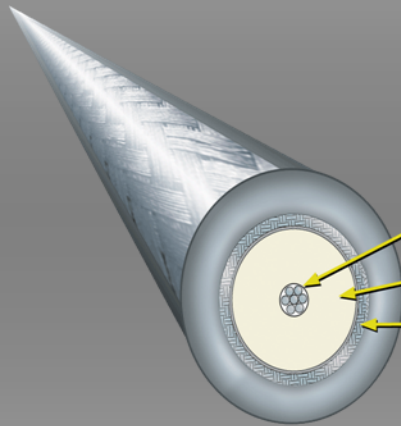


STRAIGHT WIRE

S-LINK

DIGITAL AUDIO INTERCONNECTS



Heavy Silver Plated OFHC Stranded Conductors

for a substantial improvement in bandwidth

Super Foam Polyethylene Insulation

for consistent Impedance

Dual Silver Plated Braid and Foil Shields

to eliminate all forms of interference

Coaxial 75 OHM Design

S-Link: 75 OHM cable is used by many manufacturers for digital applications. Silver plated copper conductors for fast data transmission. Dual silver foil/braid shields for great noise rejection make it a great value. **RCA or BNC**

LEVEL 3 - ADVANCED

INNOVATIVE TECHNOLOGY, HIGH RESOLUTION CABLES